

OPERATOR'S MANUAL

AL0409C5XXXXXXX

INCLUDING: OPERATION, INSTALLATION AND MAINTENANCE.

RELEASED: 2-15-10
(REV. 01)

ALSO INCLUDE MANUALS: Refer to "Operator's Manuals" list below.

4 1/4" AIR MOTOR
9:1 RATIO
4" STROKE

AL0409C5XXXXXXX Drum Mounted Transfer System



**READ THIS MANUAL CAREFULLY BEFORE INSTALLING,
OPERATING OR SERVICING THIS EQUIPMENT.**

It is the responsibility of the employer to place this information in the hands of the operator. Keep for future reference.

SERVICE KITS

- Use only genuine ARO® replacement parts to assure compatible pressure rating and longest service life.
- **637489** for repair of air motor section.
- **K1875CXXXXXX** for repair of lower pump end.

MODEL DESCRIPTION CHART

AL 04 09 C 5 XXXXX XX X	
Package AL- Drum Cover Agitator with Lift	
Air Motor Size 4 - 4 1/4"	
Pump Ratio 9 - 9:1	
Check Type / Wetted Materials C - Two Ball, 300 Series / CF8M Stainless Steel	
Container Suitability 55 Gallon (400 lbs)	
Lower Pump End Options Refer to pump model operator's manual	
Follower Assembly 00 - None	
Package Option 0 - None 2 - With Agitator	

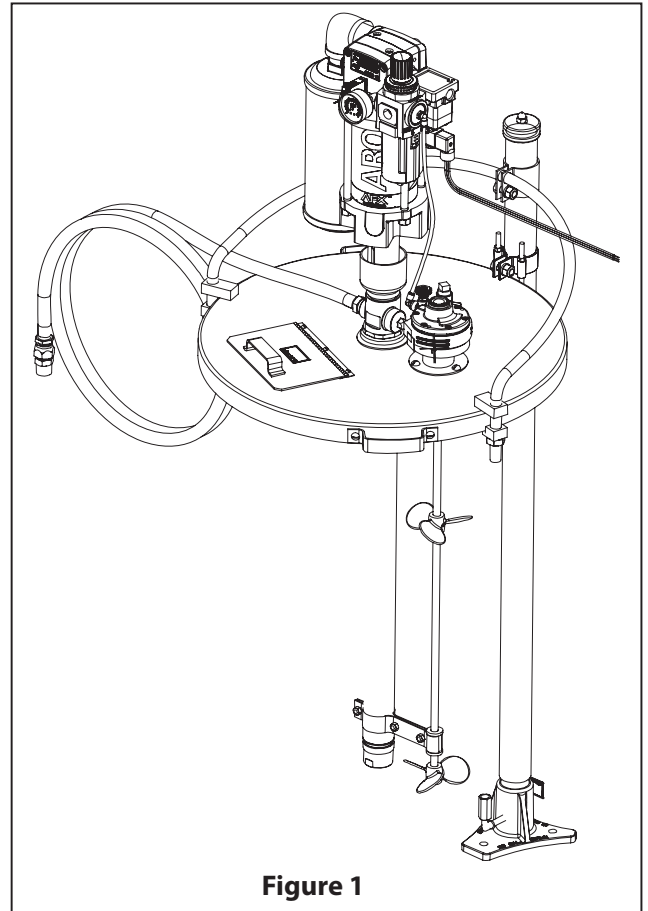


Figure 1

OPERATOR'S MANUALS

IMPORTANT: Operator's Manuals: This is one of the ten documents which support the various components of the system. Replacement copies are available upon request.

- AL0409C5XX MODEL OPERATOR'S MANUAL (PN 97999-1540)
- AF0409CXX PUMP OPERATOR'S MANUAL (PN 97999-1494)
- GENERAL INFORMATION MANUAL (PN 97999-636)
- 1875CXX LOWER PUMP END (97999-1583)
- AF044X-XX AIR MOTOR (97999-1466)
- 66197 DRUM COVER (97999-165)
- 640067 PUMP LIFT (97999-455)
- 651103 AGITATOR (97999-114)
- P39344-XXX PIGGYBACK FILTER / REGULATOR (100400-54)
- "H" SERIES VALVES (119999-37)

INGERSOLL RAND COMPANY LTD

209 NORTH MAIN STREET -BRYAN, OHIO 43506

☎ (800) 495-0276 • FAX (800) 892-6276

© 2010

CCN 15337413

www.ingersollrandproducts.com

ARO

IR Ingersoll Rand
Industrial Technologies

PARTS LIST / AL0409C5XXXXXXX

Item	Description	Qty	Part no
1	Pump Assembly	(1)	AF0409C5XXXXXX
2	Nipple	(1)	Y44-61-C
3	Reducing Elbow	(1)	96927
4	Muffler	(1)	94810
5	Piggyback Filter / Regulator	(1)	P39344-100
6	Male Elbow (1/4 - 18 n.p.t. x .250" o.d. tube)	(2)	59756-156
7	Connector	(1)	CDW
8	Mixing Motor Assembly (Agitator)	(1)	651104-1
9	Adapter Clamp	(2)	94989
10	Stirring Rod Guide Spool	(1)	83187
11	Lift Assembly	(1)	640067
12	Screw (5/16" - 18 x 5/8")	(3)	Y8-58-5
13	Hex Nut (5/16" - 18)	(3)	Y12-5-5

Item	Description	Qty	Part no
14	Hose, PTFE Liner (3/4" i.d. x 10' long)	(1)	623600-10
* 15	Tubing (.250" o.d. x 21" long)	(1)	59675-XXX
16	Gauge	(1)	104500
17	Drum Cover Assembly	(1)	66197
18	3-Way Valve	(1)	H2545S-120-A
19	Nipple (1/2 - 14 n.p.t. x 1-1/2" long)	(2)	Y27-54-C
20	Pressure Switch	(1)	104415
21	Elbow (1/4 - 18 n.p.t.)	(1)	Y43-1-C
*	Available in bulk quantities (100 feet) only.		

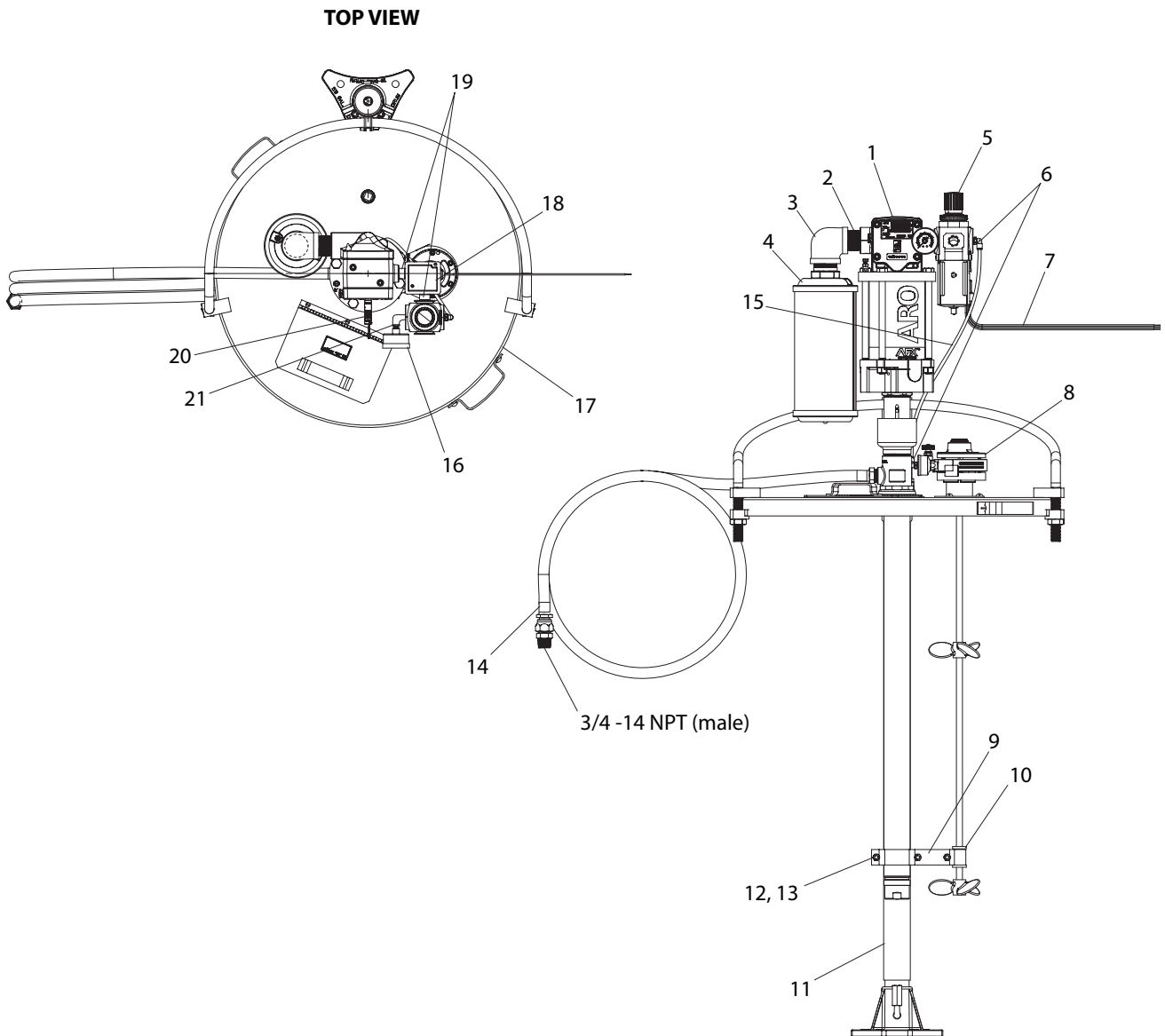


Figure 2

DIMENSIONS

