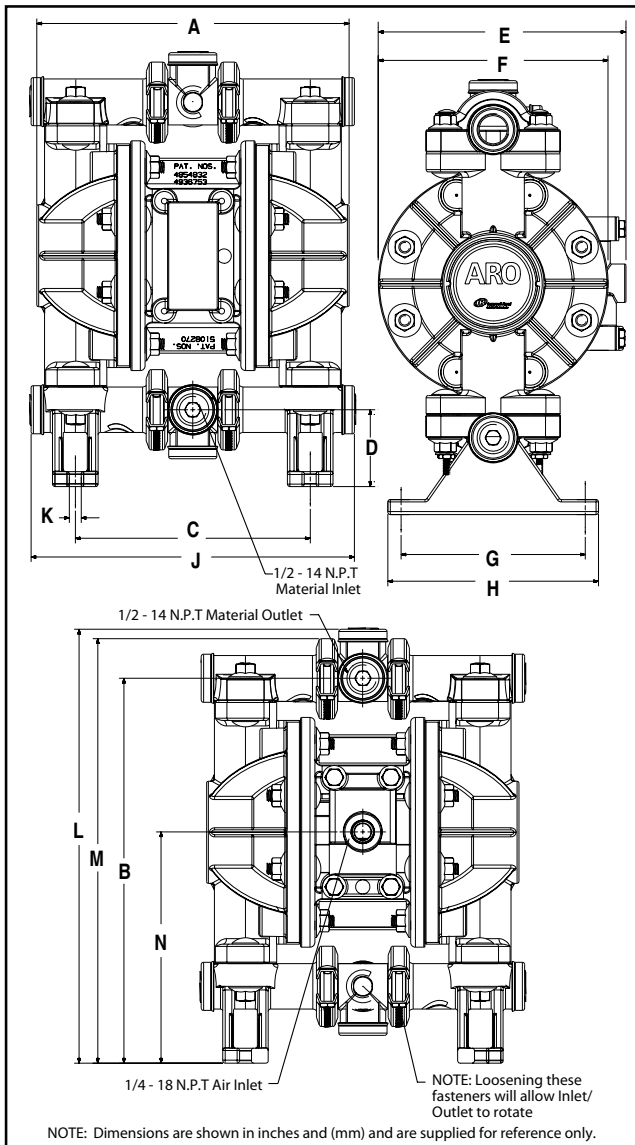


## 66605X-XXX 1/2" NON-METALLIC DIAPHRAGM PUMP

**RELEASED: 1-31-97**  
**REVISED: 1-23-12**  
**(REV. F) S-875**

### DIMENSIONAL DATA



DIMENSIONS		
A - 8.155" (207.1 mm)	E - 6.467" (164 mm)	J - 8.44 5" (215 mm)
B - 10.051" (255 mm)	F - 6.000" (152 mm)	K - 0.31 2" (8 mm)
C - 6.135" (155.8 mm)	G - 4.812" (122.2 mm)	L - 11.331" (288 mm)
D - 2.005" (51 mm)	H - 5.500" (140 mm)	M - 11.08 4" (282 mm)
		N - 6.040" (153 mm)

### SPECIFICATIONS

#### CONSTRUCTION

**Model Series** ..... 66605X-XX  
**Pump Type** ..... Non-Metallic, Air Operated, Double Diaphragm ®  
**Ratio** ..... 1:1  
**Material Inlet / Outlet (female)** ..... 1/2 - 14 N.P.T.F. - 1  
**Air Inlet (female)** ..... 1/4 - 18 N.P.T.F. - 1  
**Air Exhaust** standard ..... internal  
 optional (female) ..... 3/8 - 18 N.P.T.F. - 1  
**Weight** Polypropylene ..... 7.2 lbs (3.3 kgs)  
 Groundable Acetal ..... 8.8 lbs (4.0 kgs)  
 Kynar PVDF ..... 5 lbs (4.3 kgs)  
**Air Section Service Kit** ..... 637141  
**Fluid Section Service Kit** ..... 637140-XX

**66605X - XXX**  
**637140 - XX**

Diaphragm Material  
Ball Material

EXAMPLE: Model 66605J-3EB  
Fluid Section Service Kit is 637140-EB

#### PERFORMANCE

**Air Inlet Pressure Range** ..... 20 - 100 p.s.i. (1.4 - 6.9 bar)  
**Maximum Material Inlet Pressure** ..... 10 p.s.i. (0.69 bar)  
**Fluid Pressure Range** ..... 20 - 100 p.s.i. (1.4 - 6.9 bar)  
**Maximum Flow Rate** (flooded inlet)  
 ball check ..... 13 g.p.m. (49.2 l.p.m.)  
 duckbill ..... 10 g.p.m. (37.9 l.p.m.)  
**Maximum Particle Size**  
 ball check ..... 3/32" dia. (2.4 mm)  
 duckbill ..... fibers  
**Maximum Temperature Limits** (diaphragm / ball / seal material)  
 E.P.R. .... -60° to 280° F (-51° to 138° C)  
 Groundable Acetal ..... 10° to 180° F (-12° to 82° C)  
 Hytrel ..... -20° to 150° F (-29° to 66° C)  
 Kynar PVDF ..... 10° to 200° F (-12° to 93° C)  
 Neoprene ..... 0° to 200° F (-18° to 93° C)  
 Nitrile ..... 10° to 180° F (-12° to 82° C)  
 Polypropylene ..... 35° to 175° F (2° to 79° C)  
 Polyurethane ..... 10° to 150° F (-12° to 66° C)  
 Santoprene ..... -40° to 225° F (-40° to 107° C)  
 PTFE ..... 40° to 225° F (4° to 107° C)  
 Viton ..... -40° to 350° F (-40° to 177° C)

#### Displacement / Cycle @ 100 p.s.i.

ball check ..... 0.040 gal. (0.15 lit.)  
 duckbill ..... 0.032 gal. (0.12 lit.)

**Noise Level @ 100p.s.i. c.p.m.** ..... 71.1 db(A)®

#### Notes:

- ① Tested with 66972 muffler installed.
- ② The pump sound pressure level has been updated to an Equivalent Continuous Sound Level (LAeq) to meet the intent of ANSI S1.13-1971, CAGI-PNEUROP S5.1 using four microphone locations.
- ③ 666056-XXX models are constructed of a groundable acetal. The material's conductivity allows it to be connected to a suitable ground.

#### ACCESSORIES:

66073-1 Air Line Connection Kit  
 93092 Exhaust Cover\*  
 93107 Gasket\*  
 93110 Muffler\*

\* External muffler for piped exhaust applications.

# PERFORMANCE CURVES

66605X-XXX 1/2" NON-METALLIC DIAPHRAGM PUMP

