

SALES & ENGINEERING DATA

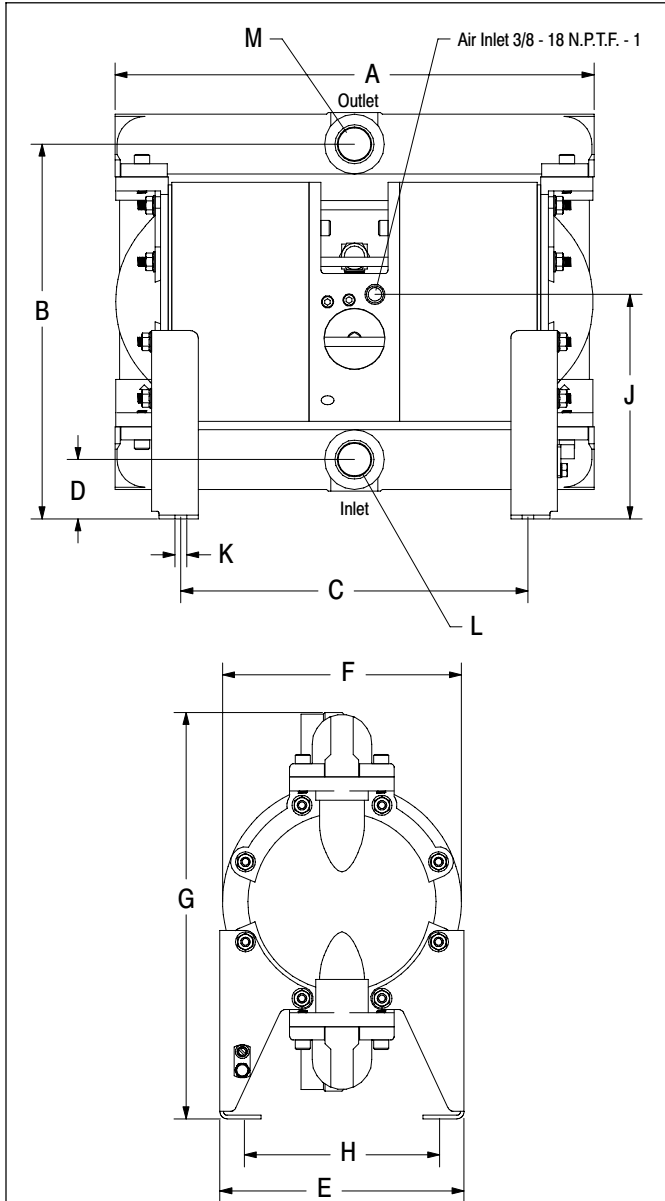
RATIO SERIES: **3:1**

FLUID P.S.I. RANGE: **60 - 300**

PH10A-XSS-XXT 1" HIGH PRESSURE METALLIC DIAPHRAGM PUMP

RELEASED: 7-7-00
REVISED: 6-10-10
(REV. F) S-1193

DIMENSIONAL DATA



DIMENSIONS

| | | | | | |
|---|-------------------|---|------------------|---|------------------|
| A | 16-1/16" (407 mm) | E | 8-3/16" (208 mm) | J | 7-9/16" (191 mm) |
| B | 12-9/16" (319 mm) | F | 8" (203 mm) | K | 13/32" (10 mm) |
| C | 11-5/8" (295 mm) | G | 13-5/8" (346 mm) | L | see below |
| D | 2" (50 mm) | H | 6-9/16" (166 mm) | M | see below |

"L" Material Inlet

"M" Material Outlet

PH10A-ASS-XXT 1 - 11-1/2 N.P.T.F. - 1 1 - 11-1/2 N.P.T.F. - 1

PH10A-BSS-XXT Rp1 (1 - 11 BSP parallel) Rp1 (1 - 11 BSP parallel)

NOTE: Dimensions are shown in inches and (mm), supplied for reference only and are typically rounded up to the nearest 1/16 inch.

SPECIFICATIONS

CONSTRUCTION

| | |
|----------------------------------|---|
| Model Series | PH10A-XSS-XXT |
| Pump Type | Metallic, Air Operated, High Pressure, Double Diaphragm |
| Ratio | 3:1 |
| Material Inlet / Outlet (female) | |
| models PH10A-ASS-XXT | 1 - 11-1/2 N.P.T.F. - 1 |
| models PH10A-BSS-XXT | Rp1 (1 - 11 BSP parallel) |
| Air Inlet | 3/8 - 18 N.P.T.F. - 1 |
| Air Exhaust | 3/8 - 18 N.P.T.F. - 1 |
| Weight | 94.73 lbs (42.97 kgs) |
| Air Section Service Kit | 637338 |
| Fluid Section Service Kit | |
| models PH10A-XSS-XHT | 637339-1 |
| models PH10A-XSS-XST | 637339 |

PERFORMANCE

| | |
|---|----------------------------------|
| Air Inlet Pressure Range | 20 - 100 p.s.i. (1.4 - 6.9 bar) |
| Fluid Pressure Range | 60 - 300 p.s.i. (4.1 - 20.7 bar) |
| Maximum Flow Rate (flooded inlet) | 26 g.p.m. (98.4 l.p.m.) |
| Maximum Particle Size | 1/8" dia. (3.2 mm) |
| Maximum Temperature Limits (diaphragm / ball / seal material) | |
| Nitrile | 10° to 180° F (-12° to 82° C) |
| PTFE | 40° to 225° F (4° to 107° C) |
| Displacement / Cycle @ 100 p.s.i. | 0.06 gal. (0.23 lit.) |
| Noise Level @ 70 p.s.i. - 60 c.p.m.① | 84.5 db(A)② |

Notes:

① Tested with 93110 muffler installed.

② The pump sound pressure level has been updated to an Equivalent Continuous Sound Level (L_{Aeq}) to meet the intent of ANSI S1. 13-1971, CAGI-PNEUROP S5.1 using four microphone locations.

ACCESSORIES:

67142 Wall Mount Bracket

INGERSOLL RAND COMPANY LTD

209 NORTH MAIN STREET - BRYAN, OHIO 43306

☎ (800) 495-0276 • FAX(800) 892-6276

www.ingersollrandproducts.com

© 2010

CCN 15260227

ARO

IR Ingersoll Rand
Industrial Technologies

PERFORMANCE CURVES

