

OPERATOR'S MANUAL

DM0409A5XXXXXXX

INCLUDING: OPERATION, INSTALLATION AND MAINTENANCE.

RELEASED: 2-15-10
(REV. 01)

ALSO INCLUDE MANUALS: AF0409AX3XX pump manual (pn 97999-1490) & S-636 General Information Manual (PN 97999-636).

4 1/4" AIR MOTOR
9:1 RATIO
4" STROKE

DM0409A5XXXXXXX Oil Supply Pump Package



**READ THIS MANUAL CAREFULLY BEFORE INSTALLING,
OPERATING OR SERVICING THIS EQUIPMENT.**

It is the responsibility of the employer to place this information in the hands of the operator. Keep for future reference.

SERVICE KITS

- Use only genuine ARO® replacement parts to assure compatible pressure rating and longest service life.
- **637489** for repair of air motor section.
- **637486** for repair of lower pump end.

MODEL DESCRIPTION CHART

	DM 04 09 A 5 XXXXX XX X
Package Drum Mount	
Air Motor Size 4 - 4 1/4"	
Pump Ratio 9 - 9:1	
Check Type / Wetted Materials A - Two Ball, Carbon Steel	
Container Suitability 55 gallon (400 lbs)	
Lower Pump End Options Refer to pump model operator's manual	
Follower Assembly 00 - None	
Package Option 0 - None 1 - Integrated ball valve regulator on pump	

DM0409A5XXXXXXX

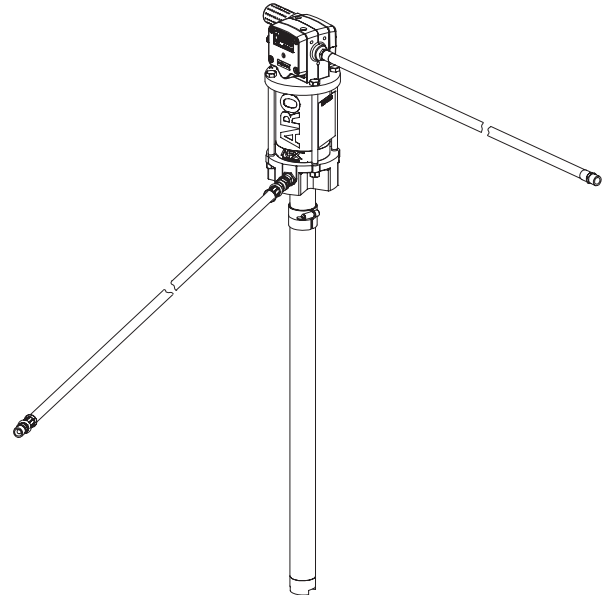


Figure 1

GENERAL DESCRIPTION

This model is designed for high volume delivery of low viscosity fluids from standard containers. The model covered by this manual includes an outlet swivel, material supply hoses and airline lubricator. Material dispensing accessories and supply lines and fittings must be capable of withstanding pressures developed by the pump.

AIR AND LUBE REQUIREMENTS

WARNING HAZARDOUS PRESSURE. Do not exceed maximum inlet air pressure of 150 psi (10 bar). Operating pump at higher pressure may cause pump damage and/or personal injury and/or property damage.

WARNING Refer to general information sheet for additional safety precautions and important information..

- Excessive air pressure will shorten the life of the pump.
- For maximum operating efficiency, the following air supply specifications should be maintained to this pump.
 - AIR PRESSURE - Up to 150 P.S.I. (10 Bar)
 - AIR FILTRATION - 50 micron
 - LUBRICATED AIR SUPPLY
 - AIR INLET SIZE - 1/2" NPTF

- Filtered and oiled air will allow the pump to operate more efficiently and yield a longer life to operating parts and mechanisms.
- Lack of or an excessive amount of lubrication will affect the performance and life of this pump. Use only recommended lubricants.
- Daily fill the air line lubricator reservoir with a good grade of S.A.E. No. 90W non-detergent gear oil, adjust to 1 to 2 drops per minute.
- If the pump is to be inoperative for more than a few hours at a time,
- disconnect the air supply and relieve all pressure from the system.
- It is recommended that an oiler be installed in the air line as close as possible to the pump. This increases the service life of the pump by reducing wear of the motor internal parts.

☐ Refer to AF0409AX3XXX pump operator's (pn 97999-1490) for Lower End Pump Assembly & Reassembly instructions.

TROUBLE SHOOTING

Pump operates but but dispenses little or no material..

- Check for adequate material supply..
- Check the 77006 foot valve assembly, look for an obstruction which would prevent the material from feeding into the suction tube.
- Look for foreign matter in the foot valve which may be preventing it from closing on downstroke of the piston.
 - Pump does not operate.
- Check air pressure at the pump to insure the air line is not obstructed and air is not being supplied to the pump. Be careful and take safety precautions to avoid injury.
- Check for material flow at the pump outlet. Disconnect the air supply to the pump and detach the material hose at the swivel. Remove slowly as pressure may be built up in pump. Hold a rag at this point and apply air to the pump. If the pump now operates, there is an obstruction in the material line, reel, or control handle. If the pump will still not operate contact qualified service personnel or consult local dealer.

PARTS LIST / DM0409A5XXXXXXX

Item	Description	Part no
1	Basic Pump Assembly	AF0409A5XXXXX
2	Swivel	75366
3	Bushing (Connects Swivel / Hose)	Y45-109-C
4	Screw	Y197-158-C

Item	Description	Part no
5	Bung Adapter	60869
6	Air Hose Assembly (1/2" i.d.)	621501-5
7	Material Hose Assembly (1/2" i.d.)	623501-8

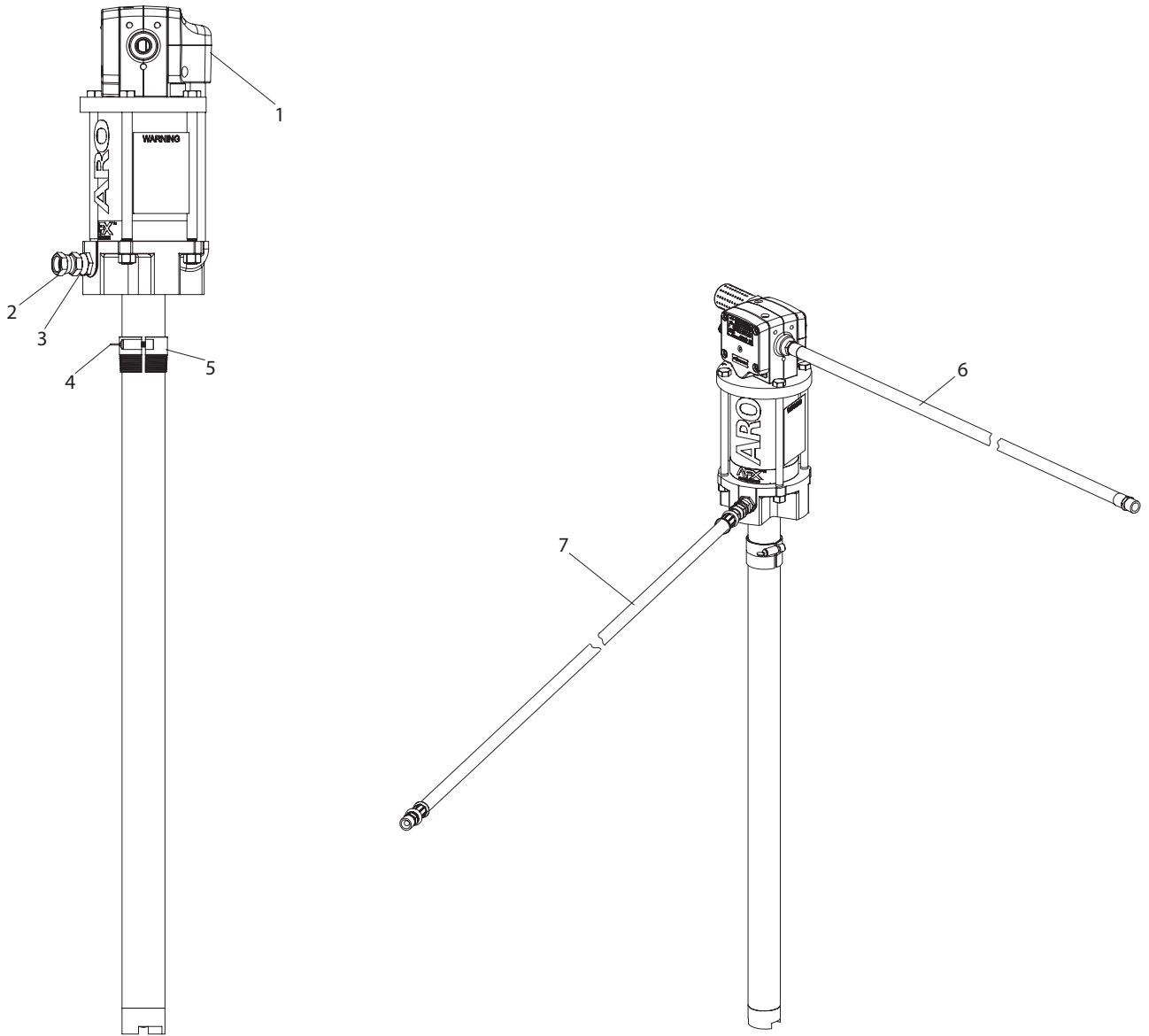


Figure 2

DIMENSIONS

