

# OPERATOR'S MANUAL

# FM0646S1XXXXXXXX

INCLUDING: OPERATION, INSTALLATION AND MAINTENANCE.

RELEASED: 3-24-10  
(REV. 01)

INCLUDE MANUALS: AF0646SXXXXX-XX-X Extrusion Pump (97999-1508), & S-636 General Information (pn 97999-636).

**6" AIR MOTOR**  
**46:1 RATIO**  
**6" STROKE**

## FM0646S1XXXXXXXX Floor Mount Pump Package



**READ THIS MANUAL CAREFULLY BEFORE INSTALLING,  
OPERATING OR SERVICING THIS EQUIPMENT.**

It is the responsibility of the employer to place this information in the hands of the operator. Keep for future reference.  
The original language of this manual is English.

### SERVICE KITS

- Use only genuine ARO® replacement parts to assure compatible pressure rating and longest service life.
- **637489** for repair of air motor section.
- **637074-X43-B** for repair of lower pump end.

### MODEL DESCRIPTION CHART

	F	M	0	6	S	1	X	X	X	X	X	X	X
<b>Package</b> FM- Floor Mount													
<b>Air Motor Size</b> 06 - 6"													
<b>Pump Ratio</b> 46 - 46:1													
<b>Check Type / Wetted Materials</b> S - Chop-Check / Carbon Steel													
<b>Container Suitability</b> 1 - Remote mounting (floor)													
<b>Lower Pump End Options</b> Refer to pump model operator's manual													
<b>Follower Assembly</b> 00 - None													
<b>Package Option</b> 0 - None 1 - Integrated ball valve regulator on pump													

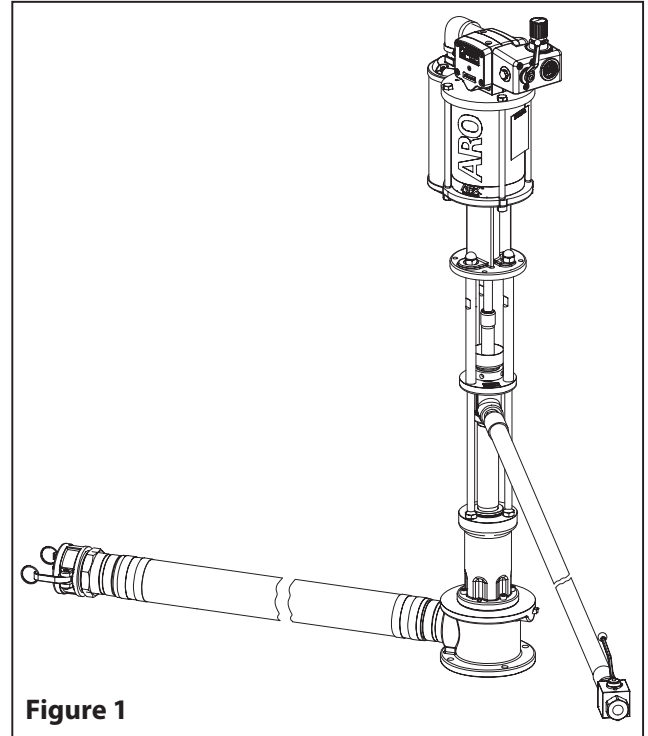


Figure 1

### GENERAL DESCRIPTION

By delivering a smooth, continuous bead of the proper size, an ARO system helps the operator maintain both production rate and produce high quality standards. Maintained quality standards assures that the material benefits are realized.

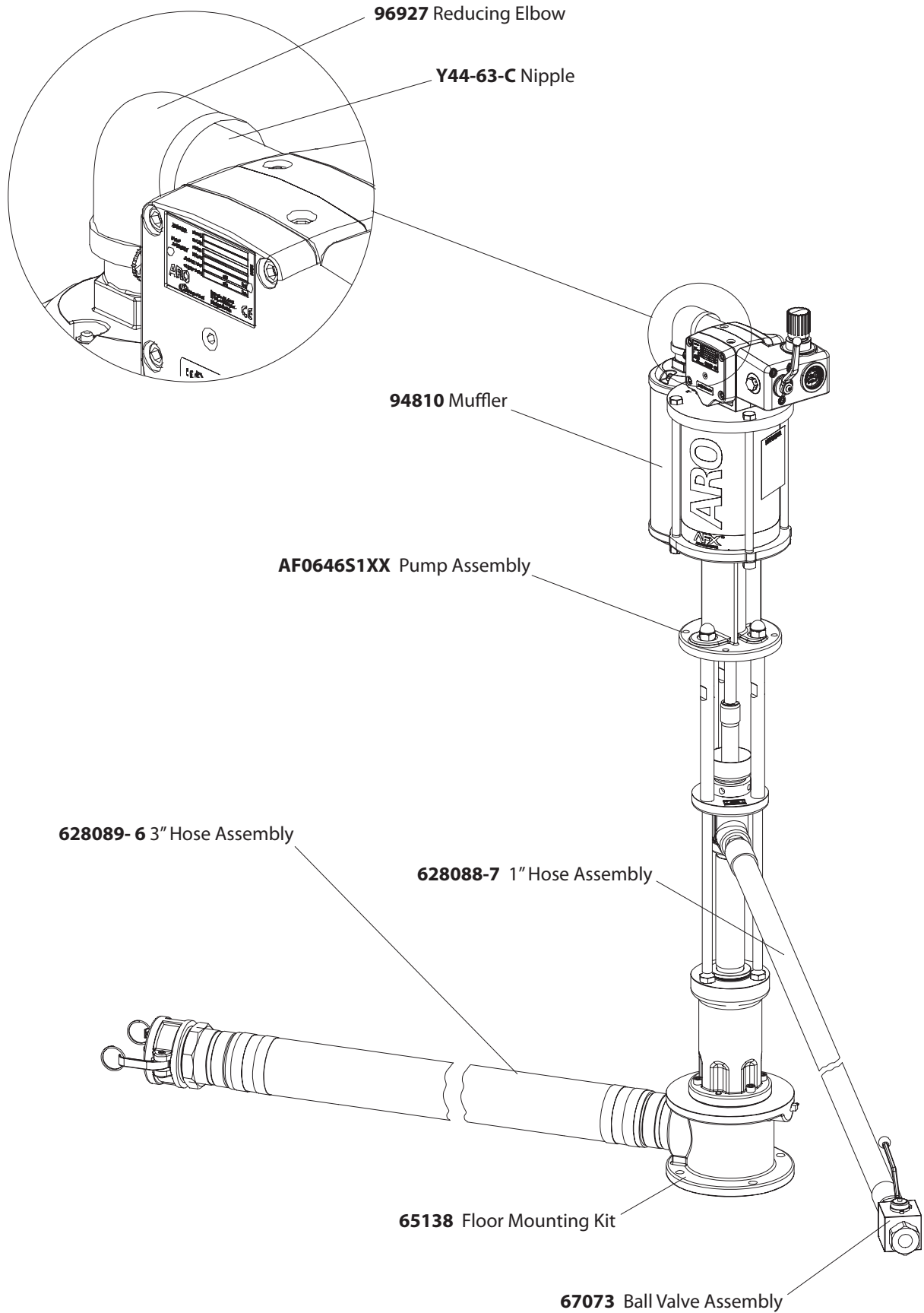
ARO systems are totally enclosed, sealing the material in the system from air and moisture, preventing premature cure-out of the material. This allows for either continuous or intermittent use of the system and allows the need for daily system clean-up.

### INSTALLATION

The FM0646S1XXXXXXXX Extrusion System comes completely assembled. Remove the unit from the crate and place on a level surface. Install the material hose and dispensing device as required. When the following instructions are observed, heavy paste materials can be pumped directly from their original drum without air inclusion or excessive waste.

See AF0646SXXXXX-XX-X (pn 97999-1508) pump operator's manual for pump installation and troubleshooting.

**PARTS LIST / FM0646S1XXXXXXX**



**Figure 2**