

INSTALLATION

The SP065SXXXXXXX Ram System comes completely assembled. Remove the unit from the crate and place on a level surface. Install the material hose and dispensing device as required. When the following instructions are observed, heavy paste

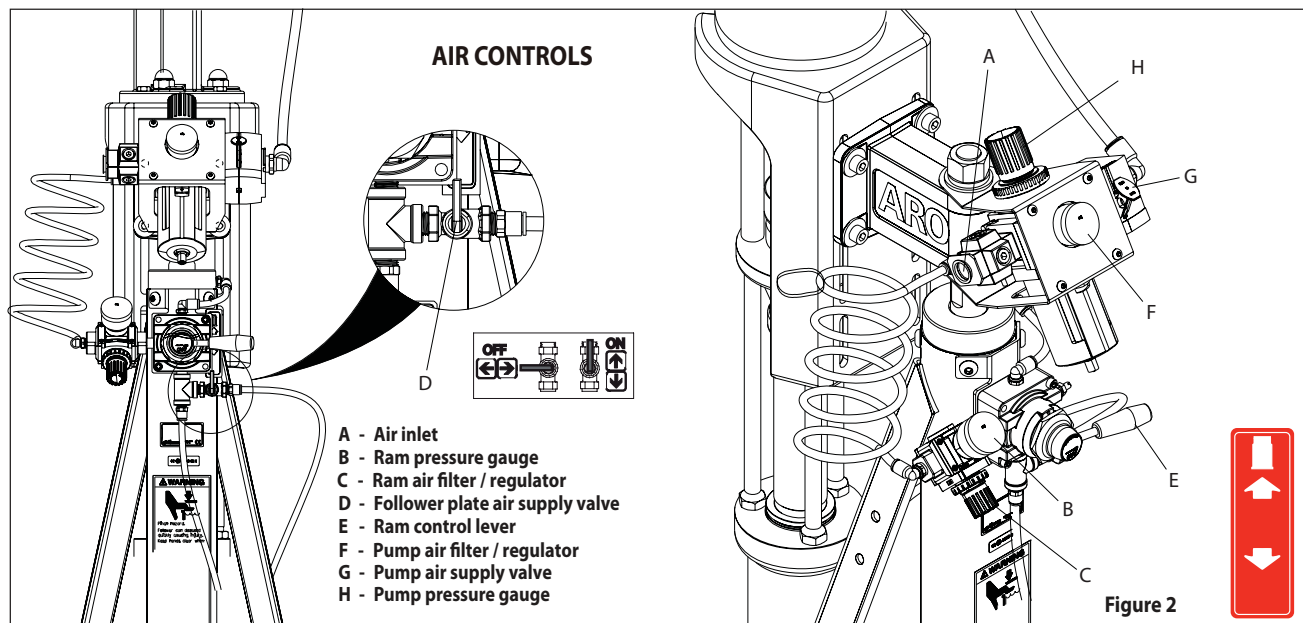
materials can be pumped directly from their original drum without air inclusion or excessive waste. The follower plate creates an air tight seal as well as clean-wiping action in its progressive downward movement into the drum.

OPERATING INSTRUCTIONS

OPERATING INSTRUCTIONS / INITIAL SET-UP PROCEDURE

⚠ WARNING Stand clear when raising or lowering the lift.

Read the warnings on page 3 of RM051S-XXX-XX Single Post Lift / Ram Operator's Manual.



TO RAISE THE LIFT, (THE FIRST TIME):

1. Take note of the pump / drum clearance above. Be certain the lift / ram is clear of any objects above. Also, refer to "Operating and Safety Precautions" found on page 3 of RM051S-XXX-XX Single Post Lift / Ram Operator's Manual.
2. Connect the air supply (115 p.s.i. / 7.9 bar max.) to the air inlet. Adjust the air pressure on the lift / ram pressure regulator (turn the knob clockwise) to 20 p.s.i. (1.4 bar).
3. Shift the control valve lever to the "up" position.
4. Raise the lift / ram high enough to clear the height of the drum. Stop the lift upward travel by moving the control valve lever to the "neutral" (center) position.
5. Once the lift / ram assembly and pump are in the "up" position, place and center an opened drum of material on the lift / ram base.
6. Lubricate the lower follower wiper plate seal with grease. NOTE: Make certain the grease is compatible with the material being dispensed. This ensures a smooth fit into the drum, as well as prevents curing type compounds from bonding to the seal.
7. Check the vent plug on the follower plate to be sure it easily threads in and out. It is recommended to lubricate the threads of the plug to help prevent possible set-up of the compound at this point (see RM051S-XXX-XX Operator's Manual).

TO LOWER LIFT:

⚠ WARNING PINCH HAZARD. Follower can descend quickly, causing injury. Keep hands clear when aligning with container. Read the warnings on page 3 of RM051S-XXX-XX Single Post Lift / Ram Operator's Manual.

NOTE: Be certain the follower plate vent plug has been removed so that the air trapped between the follower and the material is allowed to escape from this vent.

NOTE: The lift / ram may hesitate momentarily before starting downward. The air pressure inside the post air chamber must decrease before it will begin to descend.

1. Shift the control valve lever to the "down" position and proceed to lower the pump.
2. Replace the vent plug once the material begins to ooze from the vent opening.
3. The unit is now ready for operation. Open the pump air supply valve. Adjust the air pressure on the pump filter / regulator (turn the pump regulator knob clockwise) until the pump begins to cycle.
4. Trigger the gun to prime the pump with material.

TO RAISE LIFT, (NORMAL OPERATION):

1. Close the pump air supply valve.
2. Shift the control valve lever to the "up" position.
3. Raise the lift / ram high enough to clear the height of the drum. Stop the lift upward travel by moving the control valve lever to the "neutral" (center) position.

TO CHANGE THE DRUM:

NOTE: The control valve lever must be in the "neutral" position and the pump air supply valve should be closed.

1. To avoid damage, DO NOT OVER PRESSURIZE THE DRUM.
2. Open the follower plate air supply valve to allow air under the follower plate.
3. Shift the control valve lever to the "up" position.
4. Place and center a new drum into position. Remove the cover.

PARTS LIST / SP0665S2XXXXXXX

Item	Description (size)	Qty	Part No.
1	Pump Assembly	(1)	AF0665S1XXXXX
2	Male Elbow (1/2 - 14 NPT x 1/2" o.d. tube) (included with item 3)	(1)	59756-362
3	Single Post Lift / Ram	(1)	RM051S-XXX-XX
4	Follower Assembly (see "Model Description Chart", page 1)	(1)	
5	Washer (3/8")	(4)	Y13-6-C
6	Cap Screw (3/8" - 16 x 1-1/2")	(4)	Y6-67-C
7	Lock Washer (3/8")	(4)	Y14-616-C
8	Nut (3/8" - 16)	(4)	Y12-6-C

Item	Description (size)	Qty	Part No.
9	Wet-Sol "Plus" (1 quart) (not shown)	(1)	66333-B
10	Tubing (5/16" od x 30")	(1)	94980-(2)
11	Tubing (1/2" od x 33")	(1)	94978-(1)
12	Cap Screw	(4)	Y99-63-C
①	Bulk Tubing (1/2" od x 100')	(1)	94978-100
②	Bulk Tubing (5/16" od x 100')	(1)	94980-100

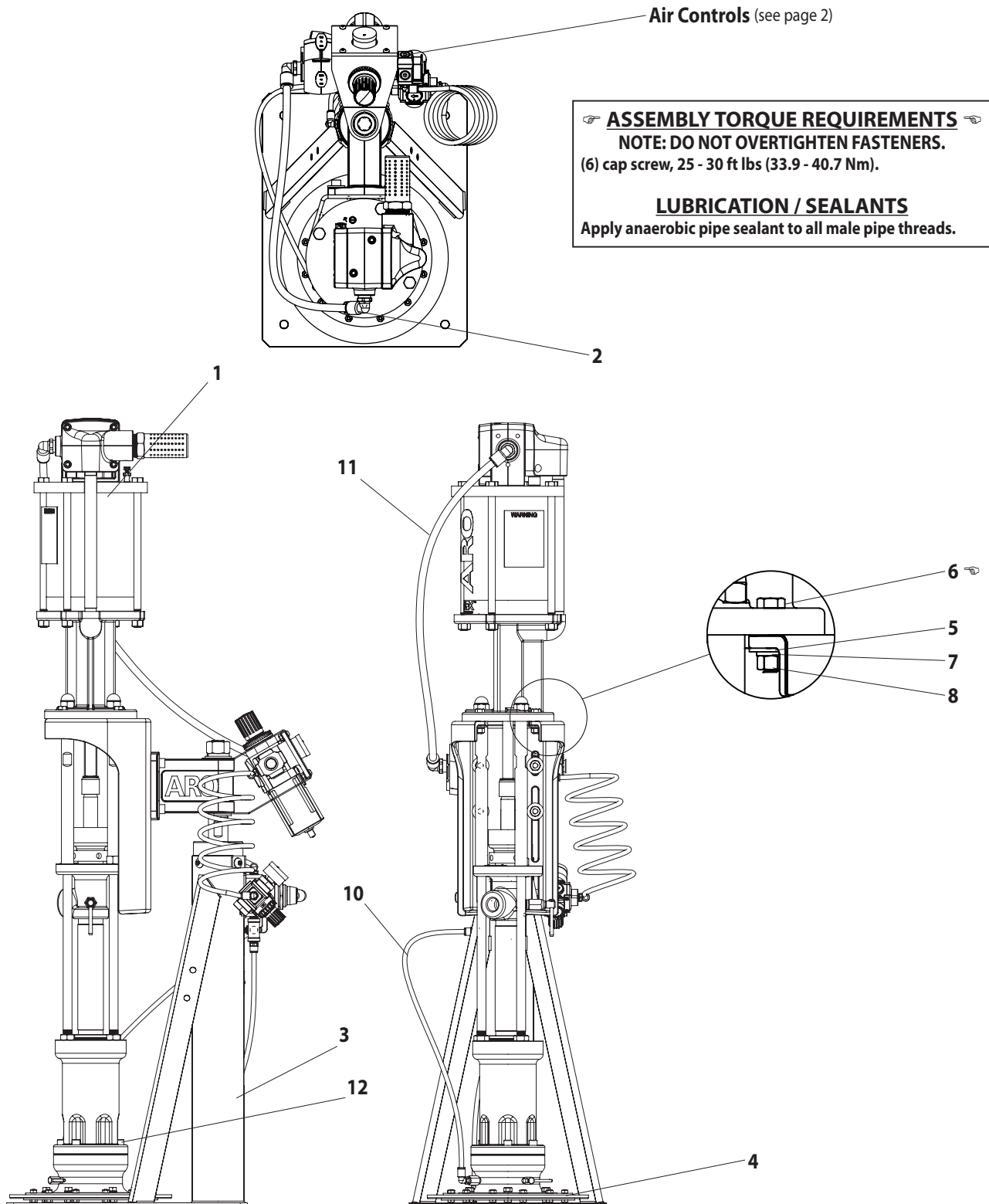


Figure 3

DIMENSIONAL DATA

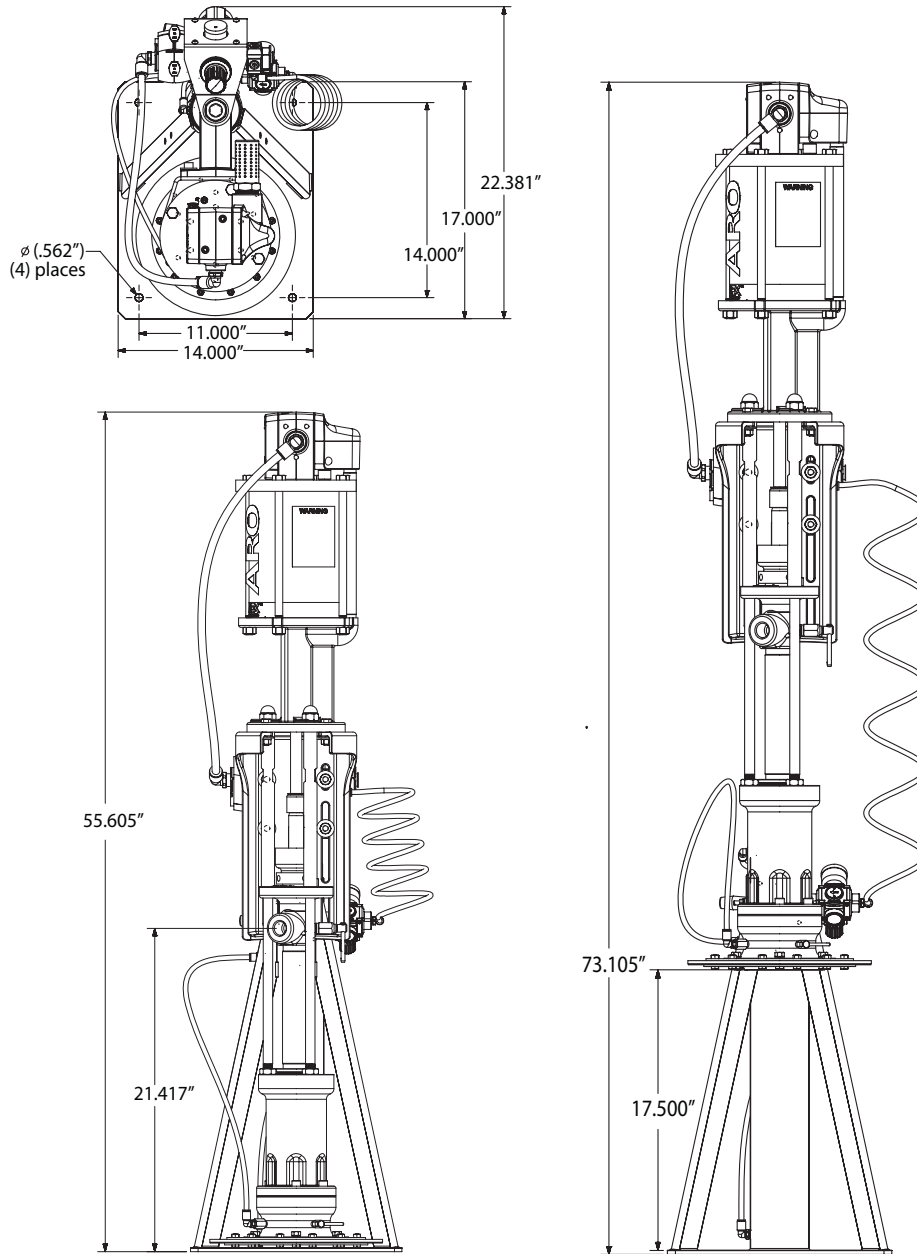


Figure 4