

# SALES & ENGINEERING DATA

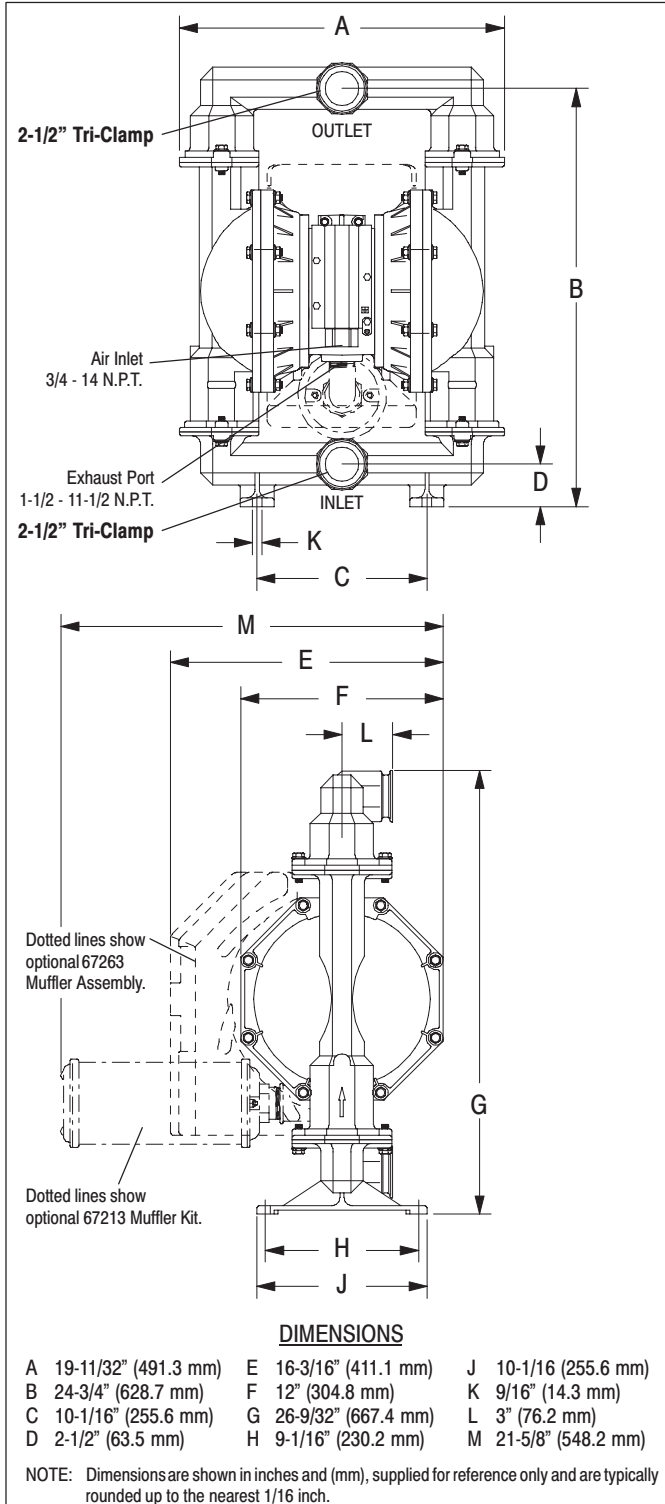
RATIO SERIES: **1:1**

FLUID P.S.I. RANGE: **20 - 120**

## PM20X-CSS-XXX-A02 2" METALLIC DIAPHRAGM PUMP

RELEASED: 7-1-99  
REVISED: 6-10-10  
(REV. 06) S-1087

### DIMENSIONAL DATA



### SPECIFICATIONS

#### CONSTRUCTION

Model Series	PM20X-CSS-XXX-A02
Pump Type	Metallic, Air Operated, Double Diaphragm
Ratio	1:1
Material Inlet / Outlet	2-1/2" Tri-Clamp
Air Inlet (female)	3/4 - 14 N.P.T.
Air Exhaust (female)	1-1/2 - 11-1/2 N.P.T.
Weight (PM20S-CSS-XXX-A02)	184 lbs (83.5 kgs)
(PM20A-CSS-XXX-A02)	151.6 lbs (68.8 kgs)
Air Section Service Kit	637302
Fluid Section Service Kit	637309-XX

PM20X-CSS-X   -A02

637309 -

Diaphragm Material  
Ball Material

EXAMPLE: Model #PM20S-CSS-SAA-A02  
Fluid Section Service Kit is 637309-AA

#### PERFORMANCE

Air Inlet Pressure Range	20 - 120 p.s.i. (1.4 - 8.3 bar)
Maximum Material Inlet Pressure	10 p.s.i. (0.69 bar)
Fluid Outlet Pressure Range	20 - 120 p.s.i. (1.4 - 8.3 bar)
Maximum Flow Rate (flooded inlet)	170 g.p.m. (644 l.p.m.)
Maximum Particle Size	1/4" dia. (6.4 mm)
Maximum Temperature Limits (diaphragm / ball / seal material)	
E.P.R.	-60 to 280° F (-51 to 138° C)
Santoprene	-40 to 225° F (-40 to 107° C)
PTFE	40 to 225° F (4 to 107° C)
Displacement / Cycle @ 100 p.s.i.	1.4 gal. (5.3 liters)
Noise Level @ 70 p.s.i. - 60 c.p.m. ①	85.0 db(A) ②

#### Notes:

- ① Tested with 67263 muffer assembly installed.
- ② The pump sound pressure level has been updated to an Equivalent Continuous Sound Level (L<sub>Aeq</sub>) to meet the intent of ANSI S1. 13-1971, CAGI-PNEUROP S5.1 using four microphone locations.

#### ACCESSORIES:

- 66312 Air line Connection Kit
- 67213 Muffer Kit
- 67263 Continuous Muffer
- 94117 Int. Muffer

### INGERSOLL RAND COMPANY LTD

209 NORTH MAIN STREET - BRYAN, OHIO 43506

☎ (800) 495-0276 • FAX(800) 892-6276

www.ingersollrandproducts.com

© 2010

CCN 99834178

# ARO

**IR** Ingersoll Rand  
Industrial Technologies

# PERFORMANCE CURVES

## PM20X-CSS-XXX-A02 2" METALLIC DIAPHRAGM PUMP

