

SALES & ENGINEERING DATA

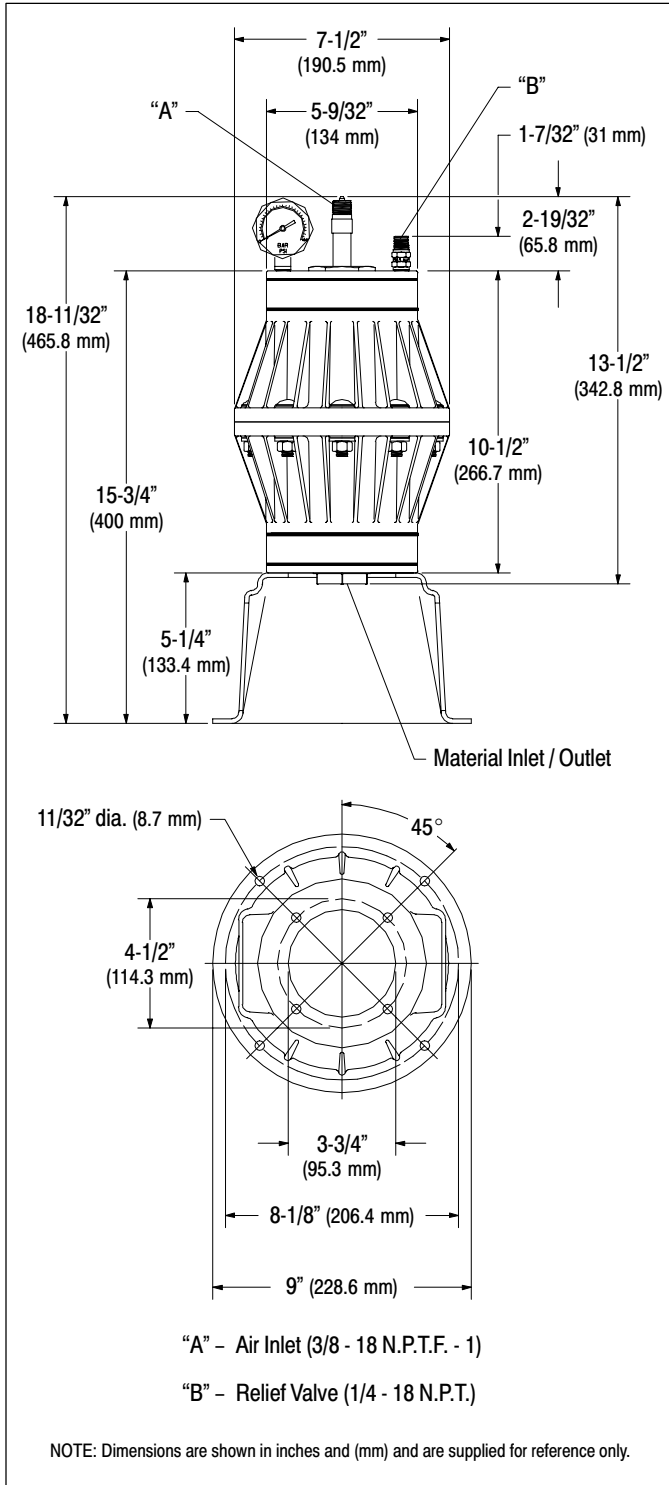
RATIO SERIES:

FLUID PSI RANGE: **20 - 100**

SB10X-XXS-X SHOCK BLOCKER® 1" NON-METALLIC PULSATION DAMPENER WITH "AIR TAMER" AUTO ADJUSTMENT

RELEASED: 6-1-00
REVISED: S-1138

DIMENSIONAL DATA



SPECIFICATIONS

CONSTRUCTION

Model Series	SB10X-XXS-X
Pulsation Dampener Type	Non-Metallic
Material Inlet / Outlet	
SB10X- A XS-X	1 - 11-1/2 N.P.T. (female)
SB10X- B XS-X	1 - 11 BSP Rp (female)
Air Inlet	3/8 - 18 N.P.T.F. - 1 (male)
Weight . Glass Filled Polypropylene	8.4 lbs (3.8 kgs)
Conductive Acetal	8.6 lbs (3.9 kgs)
Pure Kynar	9.0 lbs (4.1 kgs)

PERFORMANCE

Maximum Air Inlet Pressure	100 p.s.i. (6.9 bar)
Maximum Material Inlet Pressure	100 p.s.i. (6.9 bar)
Maximum Temperature Limits	
Glass Filled Polypropylene	35° to 150° F (2° to 66° C)
Conductive Acetal	10° to 180° F (-12° to 82° C)
Pure Kynar	10° to 200° F (-12° to 93° C)
Maximum Fluid Volume	57 in. ³ (.93 l)

BACK PRESSURE (P.S.I.)	% REDUCTION IN PULSATION											
	20		40		60		80		100		120	
	1	2	3	4	5	10	12	1	2	3	4	5
20	94%	81%	70%	65%								
40	92%	83%	70%	70%								
60	91%	85%										

BACK PRESSURE (P.S.I.)	% REDUCTION IN PULSATION											
	20		40		60		80		100		120	
	1	5	10	15	20	25	30	1	5	10	15	20
20	90%	80%	70%					60%				
40	90%	75%						70%				
60	85%	80%						75%				
80	85%							80%				



INGERSOLL-RAND COMPANY
P.O. BOX 151 • ONE ARO CENTER • BRYAN, OHIO 43506-0151
☎ (419) 636-4242 • FAX (419) 633-1674 ©2000 • PRINTED IN U.S.A.

INGERSOLL-RAND
FLUID PRODUCTS