

SALES & ENGINEERING DATA

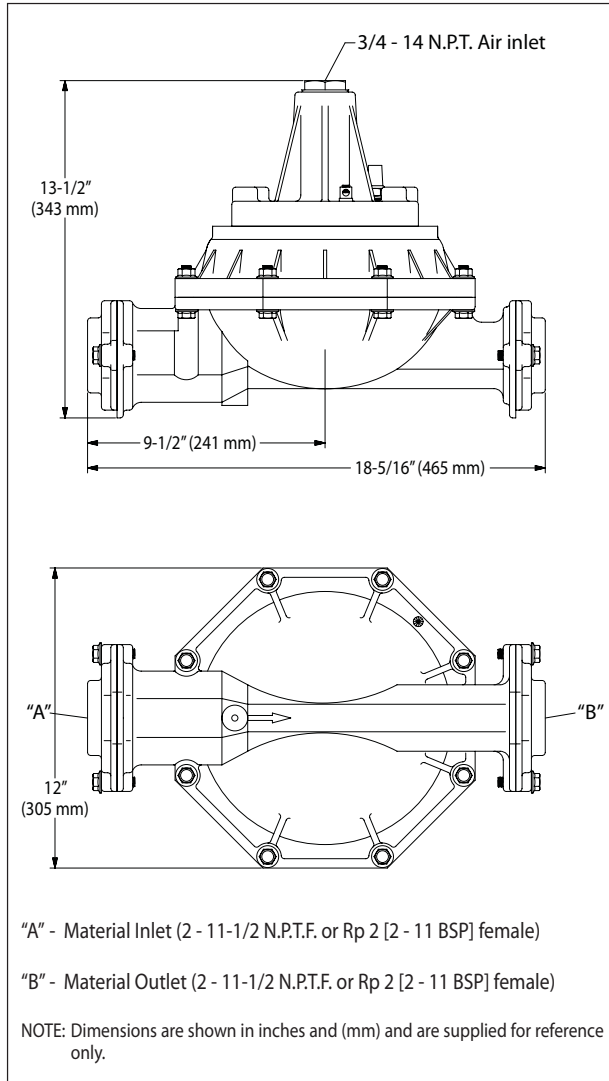
SB20X-XXX-X SHOCK BLOCKER® 2" METALLIC PULSATION DAMPENERS

RATIO
SERIES:

FLUID P.S.I.
RANGE: **20 - 120**

RELEASED: 6-1-00
REVISED: 6-10-10
(REV. E) S-1080

DIMENSIONAL DATA



SPECIFICATIONS

CONSTRUCTION

Model Series	SB20X-XXX-X
Pulsation Dampener Type	Metallic
Material Inlet / Outlet	
SB20X- <u>A</u> XX-X	2 - 11-1/2 N.P.T.F. - 1
SB20X- <u>B</u> XX-X	Rp 2 (2 - 11 BSP parallel)
Air Inlet (female)	3/4 - 14 N.P.T.
Air Exhaust (female)	1/8 - 27 N.P.T.
Weight	
SB20X- <u>X</u> AX-X	29 lbs (13.2 kgs)
SB20X- <u>X</u> CX-X	70 lbs (31.8 kgs)
SB20X- <u>X</u> SX-X	71 lbs (32.2 kgs)
Pulsation Dampener Service Kit	637330-2X

SB20X - XXX -

637330 - 2

Diaphragm material

EXAMPLE: Model #SB20A-BAP-G
Pulsation Dampener Service Kit is 637330-2G

PERFORMANCE

Maximum Air Inlet Pressure	120 p.s.i.g. (8.3 bar)
Maximum Material Inlet Pressure	120 p.s.i.g. (8.3 bar)
Maximum Temperature Limits (diaphragm / seal material)	
E.P.R. / EPDM	-60° to 280° F (-51° to 138° C)
Nitrile	10° to 180° F (-12° to 82° C)
Santoprene®	-40° to 225° F (-40° to 107° C)
PTFE	40° to 225° F (4° to 107° C)
Viton®	-40° to 350° F (-40° to 177° C)
Maximum Fluid Volume	194 in. ³ (3.18 lit.)

1-1/2" Pump % Reduction in Pulsation

Back Pressure (P.S.I.)	% Reduction in Pulsation	
	Flow (g.p.m.)	% Reduction
40	80%	70%
60	80%	70%
80	80%	65%
100	80%	70%
	1	20
	40	60
	80	

2" Pump % Reduction in Pulsation

Back Pressure (P.S.I.)	% Reduction in Pulsation	
	Flow (g.p.m.)	% Reduction
40	65%	55%
60	70%	60%
80	70%	55%
100	60%	55%
	3	30
	70	100
	130	

INGERSOLL RAND COMPANY LTD

209 NORTH MAIN STREET - BRYAN, OHIO 43506

(800) 495-0276 • FAX(800) 892-6276

© 2010

CCN 99834103

www.ingersollrandproducts.com

ARO

IR Ingersoll Rand
Industrial Technologies